

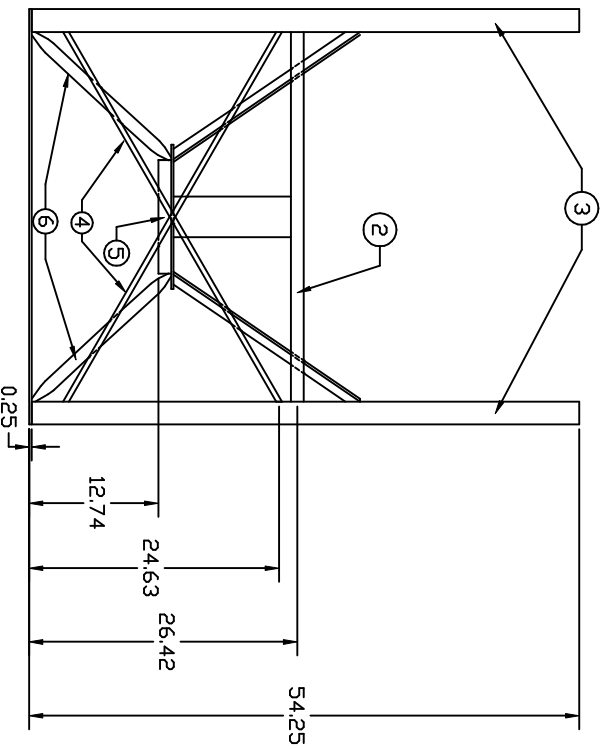
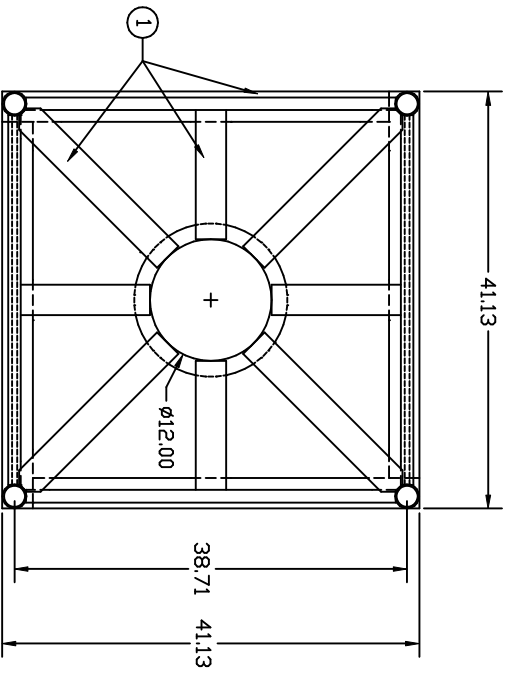
PROPRIETARY DATA

PROPERTY OF DEN HARTOG INDUSTRIES, INC. INFORMATION FURNISHED HEREIN IS THE PROPERTY OF DEN HARTOG INDUSTRIES, INC. AND SHALL NOT BE USED, DISCLOSED TO OTHERS, OR COPIED WITHOUT THE EXPRESSED WRITTEN CONSENT OF DEN HARTOG INDUSTRIES, INC. ALL RIGHTS RESERVED.

CB052-45ST

D

KEY	PART NUMBER	DESCRIPTION	QTY.
1	BD2500X30000	1/4 X 3 FLAT BAR	336 IN, (4 @ 38", 28", 17.5")
2	P10000	1" SIZE TUBING	145 IN
3	P20000	2" SIZE TUBING	4 @ 54 IN
4	R05000	1/2" MILD STEEL ROD	4 @ 42 IN
5	RAR-12	12" ROLLED ANGLE	1
6	T1000X01090	1" OD ROUNDD MILD X .109	4 @ 23 IN



D	ISOLATED STAND, CHANGED PN	5/17/06	NVE
C	CHAGE PART NO. TO CB0345-52	10/5/04	
B	ADD FITTING INFORMATION	10/5/04	
A	FINALIZE PART	9/15/04	
REV	DESCRIPTION	DATE	

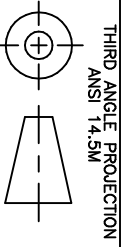
DRAWN / DATE	APPRD. / DATE
DHU / 08/17/04	

MATERIAL
MILD STEEL

CLIENT / DESCRIPTION
52" DIA STAND FOR 345 OR 500 CONE BOTTOM TANKS



ACE ROTO-MOLD
A DIVISION OF DEN HARTOG INDUSTRIES, INC.
4010 HWY. 60 BLVD, BOX 425, HOSPERERS, IOWA 51238



ALL DIMENSIONS ARE IN DECIMAL INCHES
TOLERANCES UNLESS OTHERWISE SPECIFIED

+ 1% @ 68° F

SCALE

N.S.

PART NO.

CB052-45ST